



ROWAN

*PRODUCT SHOWN MAY NOT DEPICT STANDARD OFFERING

BODY DETAILS:

UPHOLSTERED ONLY

SEAT DETAILS:

TIGHT SEAT CONFIGURATION
FOAM AND FIBER CONSTRUCTION

BACK DETAILS:

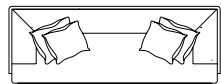
TIGHT BACK CONFIGURATION
FOAM AND FIBER CONSTRUCTION

BASE DETAILS:

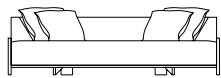
EXPOSED BASE w/ LEG RAILS
4" H (10cm) FROM FLOOR
SPECIFY LEG FINISH

TOSS PILLOW DETAILS:

KNIFE EDGE
MICROFIBER CONSTRUCTION



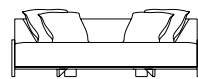
TOP VIEW



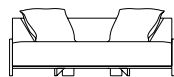
XL - 110" W



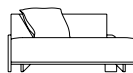
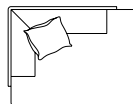
SIDE VIEW



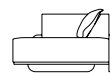
SOFA - 98" W



CONDO - 86" W



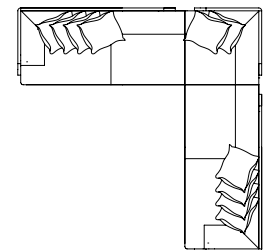
LAF FRONT VIEW



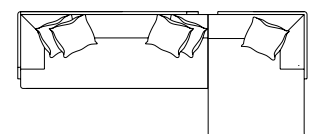
LAF SIDE VIEW

LAF/RAF FREE STANDING CHAISE
66.5" W x 51.5" L x 30" H

FULL BACK SECTIONAL



CHAISE SECTIONAL



**SOME MODELS MAY REQUIRE PIECE OUTS
DEPENDING ON PATTERN REPEAT/NAP OF FABRIC.
PLEASE CONFIRM PIECE OUT DETAILS WITH YOUR
CUSTOMER SERVICE REPRESENTATIVE.

STANDARD DOUBLE NEEDLE STITCH DETAIL ON
BODY, SEAT CUSHION, BACK AND TOSS PILLOWS
UNLESS OTHERWISE SPECIFIED.

MEASUREMENTS ARE APPROXIMATE

ROWAN SPECIFICATIONS

OVERALL DIMENSIONS

OVERALL HEIGHT TO FRAME: 30"/76cm
 OVERALL DEPTH: 40"/102cm
 INTERIOR DEPTH: 26"/66cm
 SEAT HEIGHT: 18.5"/47cm
 ARM HEIGHT: 30"/76cm
 BASE HEIGHT: 4"/10cm

TOSS PILLOWS

PILLOW SIZE	STANDARD	METRIC
MEDIUM KNIFE EDGE TOSS	22" x 22"	56cm x 56cm

VERSION	PILLOW COUNT
XL	4 MED TOSS
SOFA	4 MED TOSS
CONDO	2 MED TOSS
L/R FREESTANDING CHAISE	1 MED TOSS
LAF/RAF CHAISE	1 MED TOSS
CORNER UNIT	2 MED TOSS

VERSION

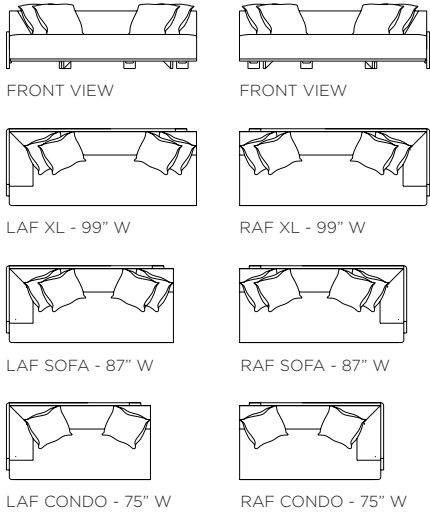
(CODE)	STANDARD	METRIC
XL (4000)	110" W	279cm W
SOFA (3000)	98" W	249cm W
CONDO (2500)	86" W	218cm W
LAF/RAF FREE STANDING CHAISE (5013/5012)	66.5" W x 51.5" L	169cm W x 131cm L

SECTIONAL VERSION

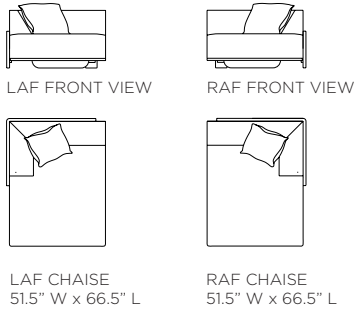
	STANDARD	METRIC
ARM WIDTH	13" W	33cm W
XL LAF/RAF (4003/4002)	99" W	251cm W
SOFA LAF/RAF (3003/3002)	87" W	221cm W
CONDO LAF/RAF (2503/2502)	75" W	191cm W
CORNER UNIT (1060)	40" W x 40" D x 30" H	102cm W x 102cm D x 76cm H
LAF/RAF CHAISE (5003/5002)	51.5" W x 66.5" L x 30" H	131cm W x 169cm L x 76cm H

SECTIONAL PIECES

LAF/RAF OPEN END



LAF/RAF CHAISE



CORNER UNIT

